

SMA RECOMMENDATIONS FOR FLASHING A NAIL-FLANGE STYLE WINDOW THAT WILL RECEIVE CEMENT PLASTER CLADDING

2016

The following is the recommended minimum practice for installation of lath and cement plaster with nail-fin (flange) style window openings.

For Designers:

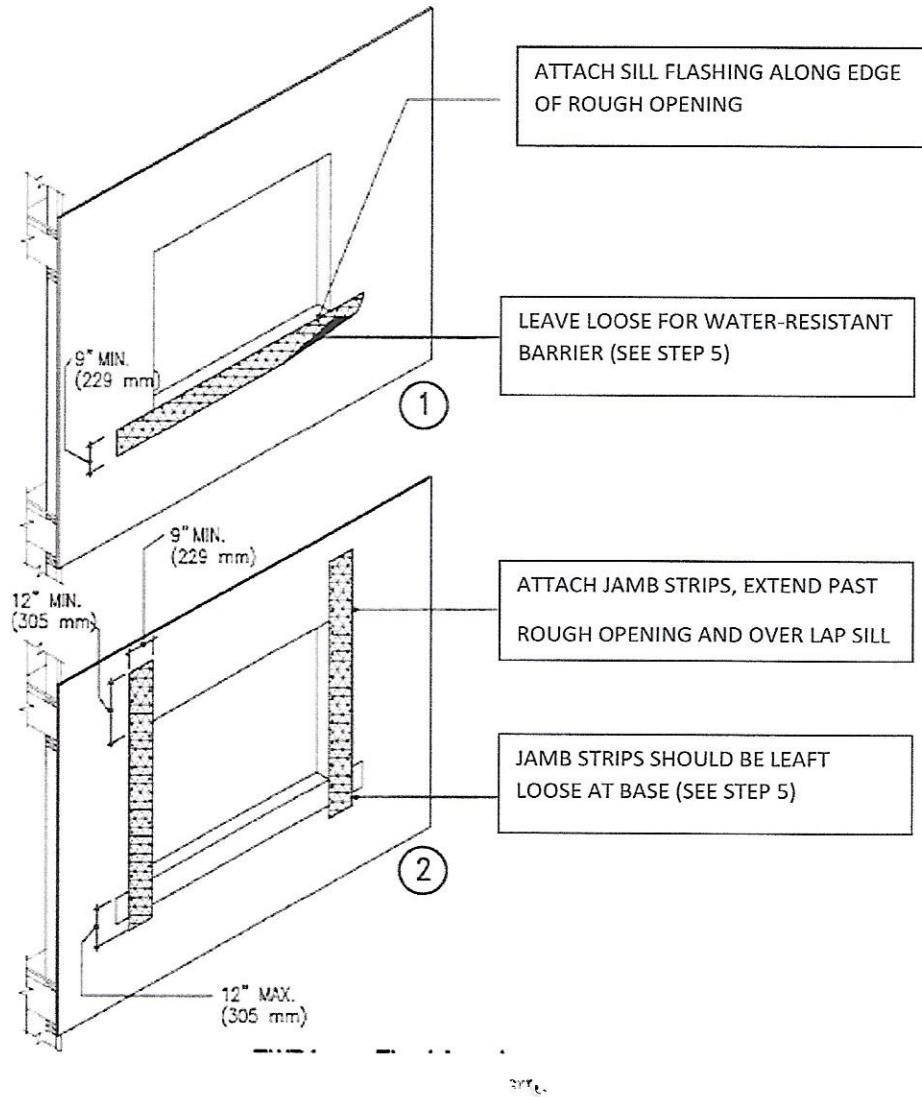
- The windows must be AAMA (American Architectural Manufacturer Association) rated to meet or exceed the Performance Grade for the project location: sill pans are then optional. Refer to www.aama.net for more information.
- The framing should be dry (below 19%) plumb, level and square prior to setting the window
- Window manufacturers recommendations supersede SMA recommendations
- The nail-flange should be continuous, undamaged and integral with the window frame
- SMA illustrated flashing procedure essentially mirrors AAMA 2400-02 and ASTM E 2112-01
- The window should be installed by an AAMA certified Installation Master www.installationmastersusa.com
- Field water test protocol (Scope and Purpose) shall apply to the lath and plaster (stucco) assembly as well as the window, refer to AAMA document # 502-11

For Plastering Contractors:

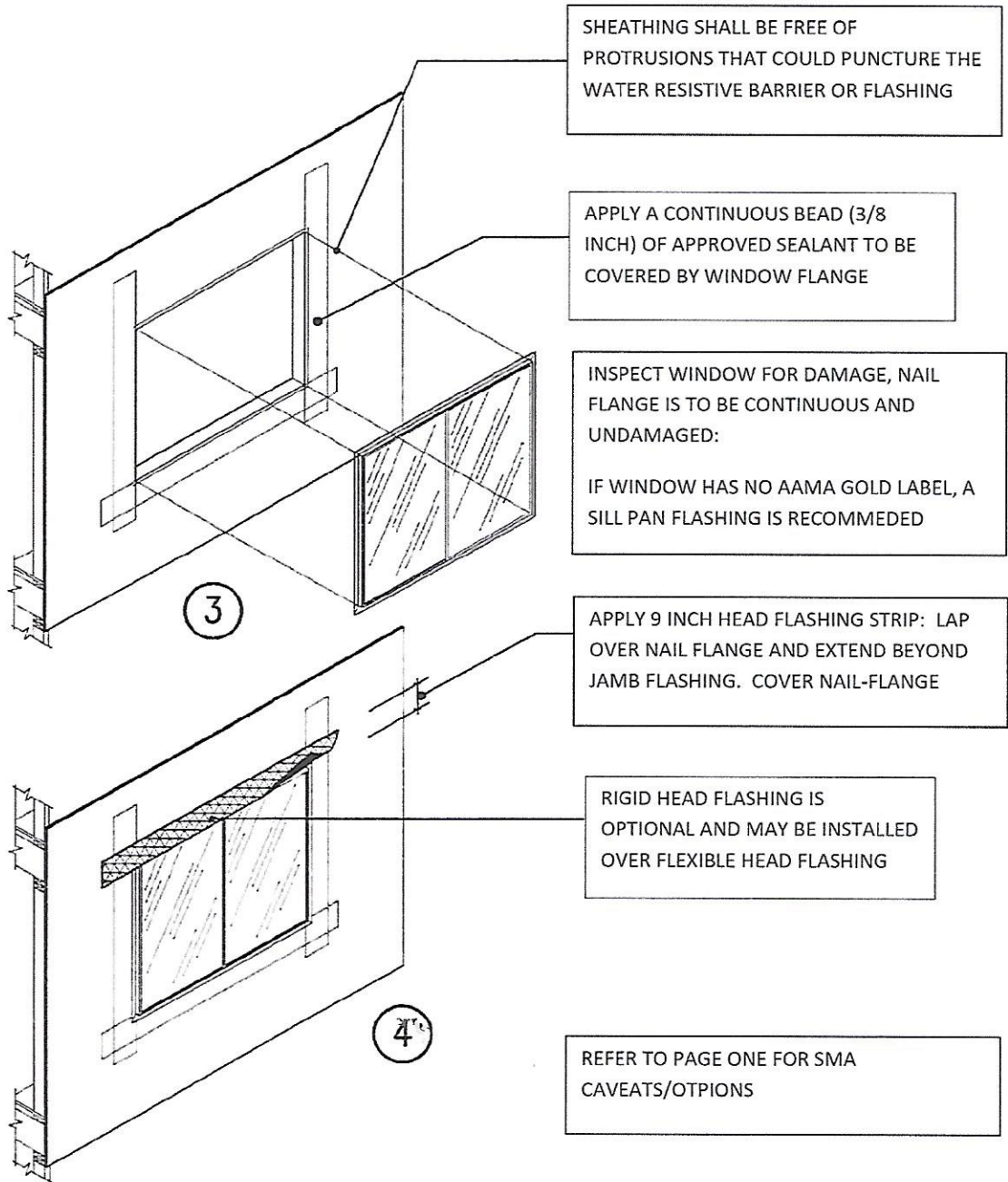
- Cement stucco may abut directly to the window frame when all of the following conditions occur:
 - Locations and the windows should be Performance Grade rated by AAMA at or below LC (Light Commercial) 25 psi.
 - Not recommended for windows over 40 feet above grade
 - Windows should not exceed 72 inches in height, width or be mulled
 - The nailing-flange must be integral, undamaged and set in a continuous bead of compatible sealant.
 - All laps shall be done in a “shingle-fashion” and exceed code minimums
 - The architect of record has not “specifically” called for a backer rod and sealant

CAVEAT: IBC Section 2510.6 states flashing shall be directed “between” the layers of Water Resistant Barriers. The decision for the placement of the sill flashing membrane (step 5) between or over should be approved by the architect of record and local building official.

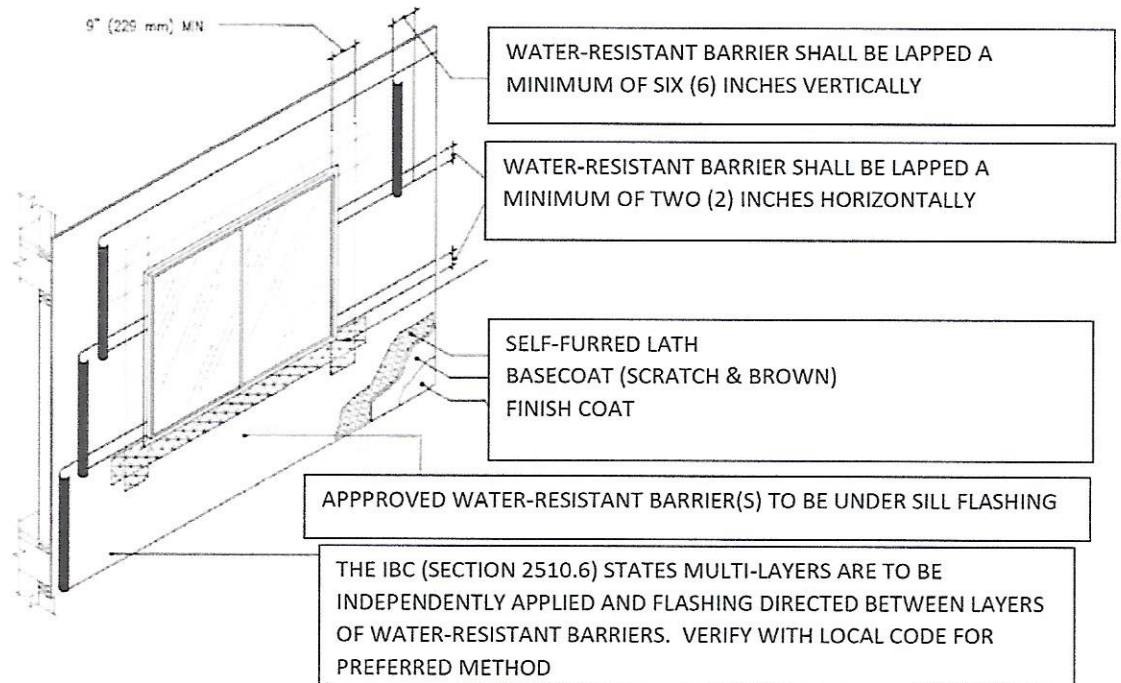
As all situations vary, the SMA cannot provide a warranty. Alternates and upgrades, such as metal head flashings and sill pans are to be installed per the recommendation of the architect/designer of record.



FLASHING A ROUGH OPENING FOR A NAIL-FLANGE STYLE WINDOW



FLASHING A ROUGH OPEING FOR A NAIL FLANGE STYLE WINDOW



CASING BEAD AND SEALANT SHALL BE APPLIED BETWEEN STUCCO AND WINDOW

Exception: Stucco may directly abut window frame if the conditions on page one are met.

The SMA cannot provide a warranty, express or implied, as every situation is unique. This procedure is code compliant per ASTM and AAMA flashing requirements for nail-flange style windows.

FLASHING ROUGH OPENING FOR A NAIL-FLANGE STYLE WINDOW